



The NEW LIGHT OF MYANMAR

Volume XVII, Number 207

8th Waning of Tazaungmon 1371 ME

Monday, 9 November, 2009

9th Plenary Meeting of 6th 47-member State Sangha Maha Nayaka Committee concludes

YANGON, 8 Nov—The 9th Plenary Meeting of the 6th 47-member State Sangha Maha Nayaka Committee continued for the second and final day at Wizaya Mingala Dhammathabin Hall on Kaba Aye Hill in Mayangon Township this morning. (See page 8)

Senior General Than Shwe and wife Daw Kyaing Kyaing to pay official visit to Sri Lanka

NAY PYI TAW, 9 Nov—At the invitation of His Excellency Mr. Mahinda Rajapaksa, President of the Democratic Socialist Republic of Sri Lanka, Senior General Than Shwe, Chairman of the State Peace and Development Council of the Union of Myanmar and wife Daw Kyaing Kyaing will pay an official visit to the Democratic Socialist Republic of Sri Lanka in the near future.—MNA

Senior General Than Shwe sends felicitations to Cambodia

NAY PYI TAW, 9 Nov—On the auspicious occasion of the 56th Anniversary of the Independence Day of the Kingdom of Cambodia which falls on 9 November 2009, Senior General Than Shwe, Chairman of the State Peace and Development Council of the Union of Myanmar, has sent a message of felicitations to His Majesty Preah Bat Samdech Preah Boromneath Norodom Sihamoni, King of Cambodia.—MNA

Prime Minister General Thein Sein felicitates Cambodian counterpart

NAY PYI TAW, 9 Nov—On the auspicious occasion of the 56th Anniversary of the Independence Day of the Kingdom of Cambodia which falls on 9 November 2009, General Thein Sein, Prime Minister of the Union of Myanmar, has sent a message of felicitations to His Excellency Samdech Akka Moha Sena Padei Techo Hun Sen, Prime Minister of the Kingdom of Cambodia.—MNA

General Thiha Thura Tin Aung Myint Oo hosts dinner to 10th MTMPC delegates

NAY PYI TAW, 8 Nov—Chairman of National Health Committee Secretary-1 of the State Peace and Development Council General Thiha Thura Tin Aung Myint Oo hosted a dinner in honour of delegates from states and divisions who had attended the 10th Myanmar Traditional Medicine Practitioners' Conference at Amara Hotel, here, this evening.

Also present at the dinner were Commander of Nay Pyi Taw Command Maj-Gen Wai Lwin, ministers, the attorney-general, deputy ministers, members of National Health Committee, the director-general of the SPDC Office, heads of department, the directors-general of department under the Ministry of Health, Myanmar traditional medicine practitioners, delegates and guests.

Artistes of the Fine Arts Department of the Ministry of Culture presented songs and dances songs during the dinner.

After the dinner, the Secretary-1 cordially greeted the delegates to the conference.—MNA

Chairman of NHC Secretary-1 General Thiha Thura Tin Aung Myint Oo cordially greets traditional medicine practitioners.—MNA



Four political objectives

- * Stability of the State, community peace and tranquillity, prevalence of law and order
- * National reconsolidation
- * Emergence of a new enduring State Constitution
- * Building of a new modern developed nation in accord with the new State Constitution

Four economic objectives

- * Development of agriculture as the base and all-round development of other sectors of the economy as well
- * Proper evolution of the market-oriented economic system
- * Development of the economy inviting participation in terms of technical know-how and investments from sources inside the country and abroad
- * The initiative to shape the national economy must be kept in the hands of the State and the national peoples

Four social objectives

- * Uplift of the morale and morality of the entire nation
- * Uplift of national prestige and integrity and preservation and safeguarding of cultural heritage and national character
- * Uplift of dynamism of patriotic spirit
- * Uplift of health, fitness and education standards of the entire nation

True patriotism

- * It is very important for everyone of the nation regardless of the place he lives to have strong Union Spirit.
- * Only Union Spirit is the true patriotism all the nationalities will have to safeguard.

PERSPECTIVES

Monday, 9 November, 2009

Myanmar traditional medicine to attract global attention

The opening of the 10th Myanmar Traditional Medicine Practitioners Conference took place at the hall of the Ministry of Health in Nay Pyi Taw the other day, with an address by Chairman of the Myanmar National Health Committee Secretary-1 of the State Peace and Development Council General Thiha Thura Tin Aung Myint Oo.

The conference has been held yearly since 2000 with noble objectives such as improving Myanmar traditional medicine, and raising the role of Myanmar traditional medicine practitioners. This year, the conference is in its 10th straight anniversary.

Myanmar traditional medicine is part of the national integrity because it is a well-established medicine reflecting Myanmar's geographical features, climate patterns, cultural heritage, customs and traditions.

Myanmar people had a long lifespan due to potent traditional medicines compounded of herbal plants from tubers and bulbs, animal products and marine and land resources that are abundant in the nation. So, Myanmar were globally recognized as a people with high physical and mental prowess.

Now, the national health policy "To encourage improving Myanmar traditional medicine and doing medical research at the international level and to participate in community health care" is in the process of being executed.

Onus is, therefore, put on traditional medicine practitioners to take part in the national health promotion plans designed to give better health care to the people with traditional medicine, and to work hard in collaboration and with heart and soul in the drive for Myanmar traditional medicine to earn good reputation at the global level as a perfect traditional medicine by reviving and improving Myanmar traditional medicine, which is a national legacy and national prestige, with advanced methods.

Chairman of All Myanmar Tamil Hindu Foundation (HQ) U Zaw Zaw Naing garlands Vice-President U Tun Aung of Union of Myanmar Federation of Chambers of Commerce and Industry at the dinner to mark Deepawali Festival at Sedona Hotel in Yangon on 7 November.—NLM



People's Desire

- * Oppose those relying on external elements, acting as stooges, holding negative views
- * Oppose those trying to jeopardize stability of the State and progress of the nation
- * Oppose foreign nations interfering in internal affairs of the State
- * Crush all internal and external destructive elements as the common enemy

A & I Minister inspects BEPSs in Hinthada, Ayeyawady Div

NAY PYI TAW, 8 Nov—Minister for Agriculture and Irrigation Maj-Gen Htay Oo inspected newly completed No. 20 Basic Education Primary School built by well-wishers in Kin ward, Hinthada of Ayeyawady Division and building of the foundation to construct new building of No. 12 BEPS in U-yin Ward. The minister later gave necessary instructions.—MNA

Minister for Agriculture and Irrigation Maj-Gen Htay Oo inspects progress in construction of new building for No. 20 Basic Education Primary School in Kin Ward of Hinthada.

MNA



Minister for Foreign Affairs sends felicitations to Cambodia

NAY PYI TAW, 9 Nov—On the auspicious occasion of the 56th Anniversary of the Independence Day of the Kingdom of Cambodia which falls on 9 November 2009, U Nyan Win, Minister for Foreign Affairs of the Union of Myanmar, has sent a message of felicitations to His Excellency Mr. Hor Namhong, Deputy Prime Minister and Minister of Foreign Affairs and International Cooperation of the Kingdom of Cambodia.—MNA

Diploma in Banking Course No. 2 opens

NAY PYI TAW, 8 Nov—With the supervision of the Ministry of Finance and Revenue, Myanmar Banks Association organized Diploma in Banking Course No. 2 of Institute of Banking (Mandalay) and it was opened at Amarapura Hall of Mandalay Sedona Hotel this morning, with an address by Deputy Minister for Finance and Revenue Col Hla Thein Swe. Also present on the

occasion were Governor of Central Bank of Myanmar U Than Nyein, the directors-general and managing directors of departments and enterprises under the Ministry of Finance and Revenue, chairmen of State-owned banks

and private banks, managing directors, general managers, the principal of Institute of Banking (Mandalay), teachers, veteran banking experts and trainees.

Next, Deputy Minister Col Hla Thein Swe

cordially greeted the trainees and instructors of the course.

A total of 37 trainees— 11 of State-owned and private banks and 26 outsiders—are attending the one-year course.

MNA

Winners awarded in ISD Chess and Swimming Competitions

YANGON, 8 Nov—The prize presentation ceremonies of the 34th Inter-State/Division Chess and the 6th Inter-State/Division Swimming Competitions were held at Aung San Stadium and National Swimming Pool this morning.

Officials of Sports and Physical Education Department and executives of the federation awarded prizes to winners at the chess competition.

On behalf of the Chairman of Myanmar Olympic Committee Minister for Sports, Secretary of MOC Director-General of SPED U Thuang Htaik presented Mandalay Division the championship shield at the international chess team event; Yangon Division, the championship shield at Myanmar traditional chess team event; and Mandalay Division,

the championship shield at the international chess team event (open). Mandalay Division won the championship shield and duplicate shields of the 34th Inter-State/Division Chess competition.

Next, the director-general and officials attended the prize presentation of the 6th Inter-State/Division Swimming Competition held at the National Swimming Pool and then awarded prizes to winners.

Afterwards, the director-general presented men's and women's championship shields and duplicate shields to Yangon Division.

Yangon Division Women's team completed their three consecutive years of victory with the championship shield.—MNA

G20 urges to push forward climate change financing but fails to reach agreement

ST ANDREWS (Britain), 8 Nov — The G20 policymakers urged to push forward climate change financing but failed to reach an agreement on how to fund policies to tackle climate change at the two-day G20 Finance Minister and Central Bank Governor Meeting (the Meeting) that ended here on Saturday afternoon.

They have committed to work for an “ambitious outcome” at the upcoming Copenhagen climate change conference, but they could not agree on how to fund poor countries to deal with climate change.

“We committed to take action to tackle the threat of climate change and

work towards an ambitious outcome in Copenhagen, within the objective, provisions and principles of the United Nations Framework Convention on Climate Change (UNFCCC),” said the communique released after the meeting was ended.

At the meeting, they discussed a range of options and, recognizing that finance will play an important role in the delivery of the outcome at Copenhagen. “We commit to take forward further work on climate change finance, to define financing options and institutional arrangements,” according to the communique.—Xinhua



An Afghan police officer frisks a passenger of a car at a roadside checkpoint in Kabul, Afghanistan, on 8 Nov, 2009. Afghanistan's Defence Ministry said on Saturday that a NATO air strike in the western province of Badghis mistakenly hit a joint base housing coalition troops and Afghan security forces, killing four Afghan soldiers and three policemen. NATO would not comment on whether an airstrike had taken place.—INTERNET

Ten militants lay down arms in N Afghanistan

KABUL, 8 Nov—Ten Taliban insurgents laid down their arms and surrendered to the government in Kunduz province north of Afghanistan on Sunday, provincial police Mohammad Razaq Yaqubi said.

“Ten rebels under Allah Birdi handed over their arms to local authorities in Qalai Zal district and resumed their normal life,” Yaqubi told Xinhua.

Mohammad Nazir, the governor of Qalai Zal

district, also confirmed their surrender and said the former insurgents besides handing over 10 pieces of machine guns have vowed to defend the government from now on.

With the surrender of these militants to the government, peace has returned to Qalai Zal district, the district chief added.

However, Taliban insurgents fighting the Afghan government have not made comment.

Xinhua

Medical practitioners attend to a boy who was injured in a grenade attack, at a hospital in Quetta, located in Pakistan's Baluchistan Province on 7 Nov, 2009. —INTERNET

18 Taliban militants killed in S Afghanistan

KABUL, 8 Nov— Afghan National Army (ANA) backed by the NATO-led International Security Assistance Force (ISAF) eliminated 18 Taliban militants in Nawbahar district of southern Zabul Province on Saturday, Afghan army commander in the region said.

“Acting upon intelligence report, both Afghan and the international troops carried out an operation against Taliban hideout and the militants opened fire and the troops responded killing 18 rebels,” Shir Mohammad Zazi told Xinhua. There were no casualties on the troops, he said. Taliban militants fighting Afghan, NATO and US troops have yet to make comments.

Despite the presence of over 100,000 troops of US and NATO-led forces in the post-Taliban county, the insurgency has reached its worst level since the ousting of Taliban regime in late 2001, prompting US President Obama to review the strategy in war on terrorism in Afghanistan. —Xinhua



In this 10 Sept, 2009 photo, a shopper examines a Sanyo's video camera at a discount store in Tokyo, Japan, on 10 Sept, 2009. Panasonic Corp said on 5 Nov 2009, it has begun a tender offer to take over smaller rival Sanyo Electric Co for an estimated 402 billion yen (\$4.4 billion), moving closer to create one of the world's biggest electronics makers.—INTERNET

Japanese protest over US base before Obama visit

GINOWAN (Japan), 8 Nov—Thousands have rallied against a US military base on Japan's Okinawa island, raising the heat in a simmering row days before President Barack Obama

visits Tokyo.

Local opposition has often flared against the large US military presence on the southern island, strategically located within easy reach of China, and North Korea and dubbed the United States' “unsinkable aircraft carrier”. In a new development Japan's foreign minister has said that Tokyo's decision on relocating the US Marine Corps Futenma Air Base could be delayed into next year.

A string of local elections next year on the island could also sway the fate of the controversial military facility, Foreign Minister Katsuya Okada said.

“I think the end of December can be a point of time by which we should work out a rough plan... but it may be delayed from

this,” Okada told a talk show on the private Asahi network.

The government of Prime Minister Yukio Hatoyama, which swept to power in September, has said it may want the base, now located in a densely populated area, moved off the island or even out of the country.—Internet

Poll shows support for Afghan war fading

LONDON, 8 Nov — Public support for the war in Afghanistan is falling, while more than 40 percent do not understand why British troops are fighting there, a poll released on Remembrance on Sunday showed.

Some 64 percent agreed that “the war in Afghanistan is unwinnable”, up six percent from July, while 27 percent disagreed, down four percent. Ten percent said they did not know.

Similar numbers said British forces should be withdrawn as quickly as possible, with 63 percent agreeing and 31 percent disagreeing. Some 54 percent felt they had “a good understanding of the purpose of Britain's mission in Afghanistan”, with 42 percent disagreeing.

Internet

Two NATO soldiers killed in Afghanistan

KABUL, 8 Nov—Two soldiers of the NATO-led International Security Assistance Force (ISAF) have been killed in the militancy-plagued Afghanistan, a press release of the alliance said on Sunday.

“Two ISAF service members died in Afghanistan yesterday,” the press release said.

Giving details, the press release added that one US service member was killed in an insurgent attack in western Afghanistan.

However, it added this event was not related to the ongoing search

operation for two US Army soldiers went missing in northwest Badghis province on Wednesday.

Another NATO's service member was killed by an IED (Improvised Explosive Device) in southern Afghanistan.

Nevertheless, the press release did not identify the nationality of the second casualty or the exact place of the incident, adding that it is ISAF policy to defer identification procedures of casualties to the relevant national authorities.

Meantime, NATO-led peacekeeping troops in another press release said that Afghan and international forces killed several militants in Taliban former stronghold Kandahar on Saturday. However, it did not give the exact figure.

Taliban militants have yet to make comment.

Xinhua



The 3rd Conference of Chinese, African Entrepreneurs kicks off in the Egyptian Red Sea resort of Sharm el-Sheikh on 7 Nov, 2009. —XINHUA

Cyprus opens new airport to attract tourism, trade

LARNACA, 8 Nov — Cyprus opened an ultra-modern airport on Saturday that it hopes will boost flagging tourism and boost prospects of it becoming a regional transport hub.

Cypriot President Demetris Christofias opened the new Larnaca terminal, built by a consortium of French and Cypriot companies, at a ceremony attended by 2,000 guests including French European Affairs Minister Pierre Lellouche.

“Today serves as a landmark in the history of tourism development and the island's infrastructure in general,” Christofias said.

“This work plays a significant role in upgrading Cyprus as a main transit hub in the coming decades.”



An actress performs during the official opening ceremony of the new Larnaca International Airport. Cyprus opened an ultra-modern airport on Saturday that it hopes will boost flagging tourism and boost prospects of it becoming a regional transport hub.—INTERNET

The 100,000 square metre (1.1 million square foot) high-tech terminal is four times larger than its predecessor, just a couple of kilometres away on the island's south coast.

The old terminal had originally been built as a makeshift facility in February 1975 after the island's only airport, in the capital Nicosia, got

caught up in no-man's land following the Turkish invasion eight months earlier.

Larnaca airport now has double the capacity to handle passenger traffic of up to 7.5 million people annually with a provision to extend this to nearly 10 million when the need arises.

Internet

China pledges to enhance economic co-op, trade with Arab countries

CAIRO, 8 Nov — Chinese Premier Wen Jiabao said here on Saturday that China will push forward economic cooperation and trade with Arab countries.

“In response to the serious impact of the international financial crisis, it is all the more important for us to take more concrete and effective measures to expand practical cooperation in economy and trade, energy, investment, finance, tourism and human resources training,” Wen said in a speech at the Arab League headquarters in downtown Cairo.

Xinhua



A Tunisian businessman introduces tourism information to customers at the Fourth China's International Leisure Industry Expo held in Hangzhou, east China's Zhejiang Province, on 6 Nov, 2009.—XINHUA

China's bank credit to rise about 20% next year

BEIJING, 8 Nov — China's bank loan will expand by 20 to 22 percent in 2010 to fuel the economic recovery, a leading Chinese bank predicted on Sunday.

The new Renminbi credit balance issued by the commercial lenders is expected to reach 8 to 9 trillion yuan next year, according to the China Banking Development Report issued by the Bank of Communications, the nation's fifth largest commercial lender.

Chinese banks extended a record 8.67 trillion yuan in the first three

quarters in 2009, up 30 percent year on year, to echo government's call for aggressive lending to power the economic growth.

The report said the cooling-down of the loan increase depends on the government's policy fine-tuning and the expected slowing fixed-asset investment.

Bill financing, a short-term credit which easily go to the speculative stock market other than the real economy, is forecasted to fall next year after regulator's warnings, said the report.—Xinhua

Yemen joins gas exporters' club

BALHAF, 8 Nov — Yemen, one of the world's poorest countries, joined the international club of gas exporters on Saturday with pumping starting at a newly built liquefied natural gas plant in the Gulf of Aden.

In a hillside ceremony overlooking the coast, President Ali Abdullah Saleh inaugurated exports by pushing a button giving the order to start pumping LNG from the terminal to a vessel anchored offshore.

The first shipment was to be sent to South Korea, with plans to also supply Europe and North America.

Korean LNG carrier Ecopia was loading 147,000 cubic metres (5,145,000 cubic feet), according to Philippe Hennebelle, production manager at Yemeni Liquefied Natural Gas (YLNG). “Six shipments are expected to leave before the end of the year,” he told AFP. The 4.5-billion-dollar (3.0-billion-euro) project, involving a 320-kilometre (200-mile) gas pipeline from Maarib in east-



Yemeni soldiers guard the Balhaf plant on the Gulf of Aden. Yemen, one of the world's poorest countries, has joined the international club of gas exporters as pumping started at the newly-built liquefied natural gas plant in the Gulf of Aden.—INTERNET

ern Yemen, is the country's largest ever investment.

The plant, which has France's Total as the main shareholder with a 39.6 percent stake, aims to reach a total production capacity of 6.7 million tonnes of LNG a year.

Internet

Concluding Senior Officials' Meeting of APEC opens

SINGAPORE, 8 Nov—The Concluding Senior Officials' Meeting of the Asia-Pacific Economic Cooperation (APEC) opened here on Sunday, kicking off the APEC Leaders' Week.

The theme of this year's APEC Singapore meetings is "Sustaining Growth, Connecting the Region". It is expected that when leaders of the 21 APEC members meet on 14-15 Nov, they will focus on how to secure an economic recovery and fight trade protectionism.

Issues of regional economic integration, the Doha Round of negotiations under the World Trade Organization and climate change are also expected to be high on the leaders' agenda.

Senior officials' meetings of the APEC are a series of meetings held three or four times a year, with the concluding session being convened to prepare agenda and documents for the subsequent ministerial and leaders' meetings.

At the two-day closed-door meeting, senior offi-

cial will discuss a range of issues, including how to secure that economic growth can become more inclusive so that every member can benefit from the growth, according to the organizer of the meeting.

The officials will deliberate a proposal to set APEC-wide targets in five priority areas to improve the ease of doing business in the region, with the aim of endorsing these targets by the APEC ministerial meeting from 10 Nov to 12 Nov.—Xinhua



A merchant vessels sail in the waters of the Gulf of Aden escorted by the Chinese escort flotilla, on 6 Nov, 2009. The third Chinese fleet for an escort mission against pirates escorted 25 merchant vessels on the Gulf of Aden on Friday, finished the Chinese Navy's 131st scort mission.—XINHUA

Nepal, India agree to jointly combat cross-border crimes

KATHMANDU, 8 Nov—The Nepal-India home secretary-level meeting concluded in Kathmandu on Saturday with the two sides agreeing to cooperate with each other in regulating the border and checking cross-border crimes and human trafficking.

Speaking at a press conference held at the end of the meeting, Nepal's Home Secretary Govind Kusum said the two countries have expressed commitment not to allowing each other's soil against the neighbour.

"The two countries have agreed to extend all kinds of support for mutual benefit," he said. The two sides will hold regular meetings to improve border security, check cross-border crime and smuggling of fare currencies.

The visiting 10-member Indian delegation was led by Indian Home Secretary G K Pillai.—Xinhua

Death toll of US Army base shooting spree may rise

TEMPLE, 8 Nov—Death toll of the shooting spree at the US Army base at Fort Hood may rise from the current 13 as some of the hospitalized victims have "extremely serious injuries" and several of them are still at "significant risk" of losing their lives," a doctor said here on Saturday.

W Roy Smythe, chief of surgery for Scott & White Memorial Hospital in Temple, a city near Fort Hood, told a news conference on Saturday outside the hospital that of the 10 patients who were originally admitted into the hospital, four have gone home, one may go home on Saturday.

Of the six who were in the ICU on Thursday when the shooting spree occurred, only two are left.

"The two patients who remain in the ICU are no longer on ventilators and have been quite stable," he said. "So a lot of progress has been made."—Xinhua

Russian soldiers in World War II Soviet uniform parade on the Red Square on 7 Nov, 2009 to mark the 68th anniversary of the legendary military parade of 1941.

XINHUA



Representatives of the Asia-Pacific Economic Cooperation (APEC) attend the Concluding Senior Officials' Meeting of the APEC in Singapore, on 8 Nov, 2009. The Concluding Senior Officials' Meeting of the APEC opened here on Sunday, kicking off the APEC Leaders' Week.—XINHUA

Report says 32 children killed in Gaza tunnels in past three years

GAZA, 8 Nov—A report on Saturday showed that 32 Palestinian children have been killed while working in smuggling tunnels under the border between the Gaza Strip and Egypt in past three years.

The report, conducted by the Palestinian National Society for Democracy and Law, said 32 children were killed since Israel imposed a blockade on the coastal enclave in mid-2006 and restricted entry of goods to little more than food and medicine.

The research also focused on child labour, revealing that children, under 18 years old, work for 12 hours a day in the tunnels, and some of them take pain-killer called Tramadol and energy-giving drugs.

The report said during this period, 117 Palestinians in total have been killed in the tunnels, which flourished in the Hamas-run area due to the tight blockade. The cave-ins often result from Israeli air raids, Egyptian detonation of channels ends in the Egyptian territories and natural circumstances.

The Israeli siege on Gaza, where about 36,000 factories shut down, deepened poverty and unemployment situation, and led to a drop of education levels. As a result, more parents encourage their children to take risks to work in the tunnels.—Xinhua

All Items from Xinhua News Agency

Russia holds military march in honour of 1941 parade

MOSCOW, 8 Nov—Russian soldiers in World War II Soviet uniform and other historical military costumes, accompanied by two famed T-34 tanks, marched through Moscow's Red Square on Saturday to mark the 68th anniversary of a legendary military parade in 1941.

About 4,000 young Muscovites also participated in the parade, watched by some 6,000 spectators, including at

least 45 participants of the 1941 parade.

The 7 Nov, 1941 parade, which commemorated the 1917 Bolshevik Revolution, was held after Russia joined World War II and aimed to raise morale as Nazi German forces approached Moscow. The troops headed straight to the front line outside Moscow after the parade.

The T-34 Soviet medium tank, often referred to as the best tank design

of the war and appearing in the parade for the first time, was the backbone of the Red Army during World War II.

In order to commemorate the 92nd anniversary of the Bolshevik Revolution, or the Great October Socialist Revolution, separate marches and rallies have been planned by communist and other left-wing groups in central Moscow and across the country.—Xinhua



Arms control deal with US can be reached

Moscow, 8 Nov — Russia and the United States have a good chance of reaching a new nuclear arms reduction deal before year's end, but other nuclear powers must join disarmament efforts, Russian President Dmitry Medvedev said in remarks released on Saturday.

Medvedev also told Germany's *Der Spiegel* magazine he has been working well with his predecessor Vladimir Putin, and predictions of a rift between him and Putin — widely seen as pulling the strings in Russia — are overblown. The Kremlin released a transcript of the comments. "No one must have any doubts that our 'tandem' has been working quite harmoniously," Medvedev said. "As you can see, predictions that we will have a falling

out so far have failed to materialize." The US-Russian arms control talks are moving at a good pace, Medvedev said.

"We have every chance to agree on a new treaty, determine new (weapons) levels and control measures and sign a legally binding document in the end of the year," he said in remarks released by the Kremlin. He sounded less upbeat about the prospect of the complete abolition of nuclear weapons. Russia and the United States both say they are committed to negotiating a successor deal to their 1991 Strategic Arms Reduction Treaty. That arms reduction treaty has gradually slashed both sides' arsenals but is set to expire on 5 Dec.

Internet



A man holds his daughter, who was killed in a suicide bomb blast in Matni village, as her grandmother (R) mourns inside a van at Lady Reading hospital in Peshawar on 8 Nov, 2009. —INTERNET

Jet forced to return to JFK

RIO DE JANEIRO, 8 Nov — TAM Airlines says one of its jets took off from New York's JFK airport but was forced to return 20 minutes into the flight because of a mechanical problem.

TAM Linhas Aereas SA says that Flight JJ8081 en route to Sao Paulo with 196 people on board returned on Friday night after a warning light indicated problems with the wing flaps.

An airline spokesman says the jet circled in the air for several minutes to burn fuel and lighten up before safely landing at JFK. He spoke on condition of anonymity as he wasn't authorized to discuss the incident. The plane was repaired and took off from JFK early Saturday, landing safely in Sao Paulo at 10:38 am. —Internet

About 200 staff to be pulled from Afghanistan

KABUL, 8 Nov — The UN says hundreds of its staffers will be temporarily pulled out of Afghanistan in the wake of an 28 Oct attack that killed five of its workers, but it's still determining exactly how many. UN spokesman Adrian Edwards in Kabul emphasizes the world body is not "withdrawing, not pulling out" from Afghanistan and will continue its work.

Secretary-General Ban Ki-moon told reporters at the UN on Friday that about 200 staffers will be relocated to other UN offices in the region. But Edwards said on Saturday the UN is still poring over the personnel lists of every UN agency and every office and has yet to calculate the exact number leaving. —Internet

India worried over rise of terror in Pak, Afghan

NEW DELHI, 8 Nov — Worried over the rise in terror incidents in Pakistan and Afghanistan, Prime Minister Manmohan Singh today asked the global community to extend sustained cooperation for dealing with the menace for ensuring stability in the region.

"We are very worried about the rise of terrorism in our neighbourhood, particularly what is going on in Afghanistan and in Pakistan. We have a vital stake in peace, progress and stability of these countries and other countries of South Asia," Singh said while inaugurating the India Economic Summit here.

Internet

Another reason to cover your cough: pets at risk

People who think they may have H1N1 flu need to stay away from work, avoid sneezing on their spouses and children and now, they have someone else to worry about infecting too — their pets.

US vets reported this week that a pet cat had been infected with the pandemic swine flu virus, apparently by its owners, who had reported flu-like illness in the days before.

Two pet ferrets also caught flu, again apparently from their owners, and several herds of pigs around the world have been reported infected.

Animals have long been known to be a source of new infections. Influenza itself originates in birds, possibly domestic ducks. AIDS appears to have come from chimpanzees and possibly gorillas. Ebola virus comes from bats while rabies is spread by many different species.

And this strain of H1N1 very likely originated in pigs although it is now infecting almost exclusively humans.

But with flu, at least, it can go the other way, too.

"This is just another illustration of why influenza viruses are so tricky and frustrating and interesting at the same time, is this ability to occasionally jump

species," said Dr Carolyn Bridges of the US Centers for Disease Control and Prevention.



People practice coughing into their sleeves as a way to try to control the spread of the H1N1 swine flu virus, during a meeting for workers at the Maryland Department of Health and Mental Hygiene in Baltimore.



In this photo, a group of giraffes from Africa's most endangered giraffe subspecies walk through scrub brush near Koure, Niger. By all accounts, they should be extinct.

Authorities find van stolen in 1974

US Customs and Border Protection agents said a search of a shipping container bound for the Netherlands revealed a vehicle reported stolen in 1974.

Customs agents in Los Angeles said they opened the shipping container in October and discovered a restored 1965 Volkswagen that was reported stolen from an auto upholstery shop in Spokane, Wash, in 1974, The (Spokane) Spokesman-Review reported on Friday.

Michael Maleta, an auto theft investigator with the California Highway Patrol, said the van was being shipped with three restored VW Beetles by a custom restoration business in Arizona. Maleta said the shop, which was not named, is also considered a victim in the case.



Robert Heard, an audio visual technician for the Missouri Historical Society, adjusts a display inside of a 1960 Volkswagen Camp-Box van, as the museum gets ready for the American Wanderlust: Taking to the Road in the 20th Century special exhibition at the facility in St Louis on 13 June, 2003.

W Africa's last giraffes make surprising comeback

A crisp African dawn is breaking overhead, and Zibo Mounkaila is on the back of a pickup truck bounding across a sparse landscape of rocky orange soil.

The tallest animals on earth are here, the guide says, somewhere amid the scant green bush on one side, and the thatched dome villages on the other.

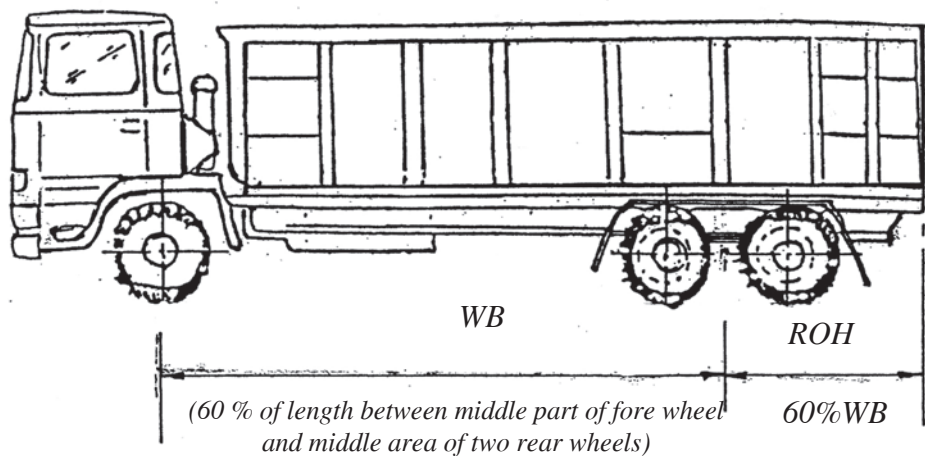
They're here, but by all accounts, they shouldn't be.

A hundred years ago, West Africa's last giraffes numbered in the thousands and their habitat stretched from Senegal's Atlantic Ocean coast to Chad, in the heart of the continent. By the dawn of the 21st century, their world had shrunk to a tiny zone southeast of the capital, Niamey, stretching barely 150 miles (240 kilometres) long. Their numbers dwindled so low that in 1996, they numbered a mere 50.

Instead of disappearing as many feared, though, the giraffes have bounced miraculously back from the brink of extinction, swelling to more than 200 today.

Today's vehicles and motorways in Myanmar (7)

Article: *Kayan Soe Myint*; Photos: *Ministry of Construction*



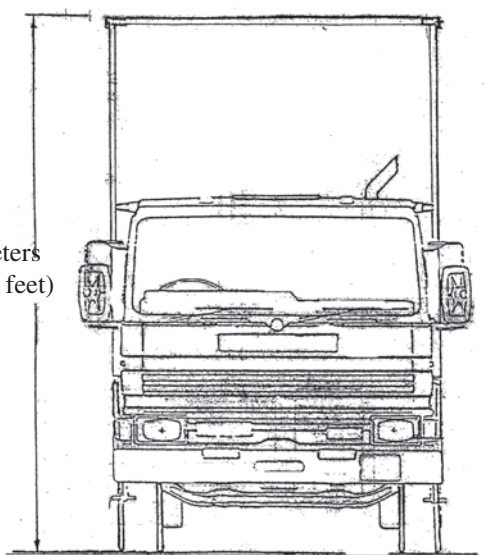
(from page 16)

be fixed according to the number of the axles installed in that vehicle. Each truck is therefore to carry the weight of the loads fixed in accordance with the number of axle load.

To be detailed, the load for a six-wheel truck with two axles is limited to 13 tons; that for a 10-wheel truck with three axles, to 30 tons; that for a 12-wheel truck with four axles, to 40 tons; and that for an 18-wheel truck with five axles, to 60 tons. The thicknesses of roads are fixed according to that limits. That is to say, the Road Research Department under Public Works reminds that roads will sustain damage if vehicles carry loads that exceed the weights limited according to the number of axles.

In that case, some complain that "The load for a truck is limited to only 60 tons? Commodity prices will go up, then". If a truck is to be loaded with 60 tons of goods, it must have an axle load that can withstand 60 tons of loads. I mean that a truck that can withstand 80 tons of loads is not to be loaded with more than 80 tons of loads, and a truck that can withstand 100 tons of loads, not more than 100 tons of loads. If a truck with three axles is reinforced with some more leaf-springs, and some more iron rods in its frame, and its body is extended, and it is loaded with 60 tons of goods, it will cause damage to the road it runs on. For example, if a man carries a 100-lb table, the whole weight of 100 lbs is on him. And if two men carry that table, only 50 lbs is on each of the two men. If four men carry it, only 25 lbs is on each man. That process is similar to the limitation of the number of axles to a truck.

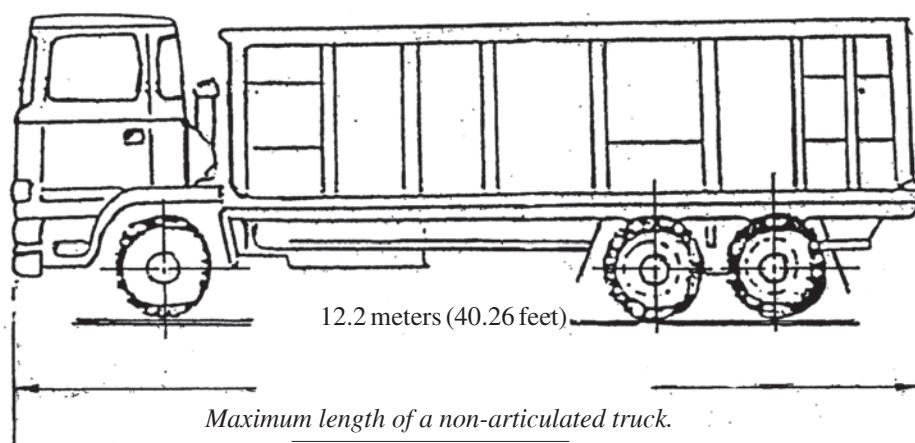
The report of the agreements reached at the 5th ASEAN Transport Ministerial Meeting held in Hanoi, the Socialist Republic of Vietnam, on 15 September 1999, approved the



Maximum height of a truck.

standards for vehicles and the ASEAN Road Network in Myanmar. The ASEAN Road Network in Myanmar comprises: —

- (1) Yangon-Phayagyi-Mandalay-Tamu Road,
- (2) Phayagyi-Hpa-an-Myawady Road,
- (3) Mandalay-Hsipaw-Lashio-Muse Road
- (4) Mandalay-Meiktila-Loilem-Kengtung Road,
- (5) Kengtung-Mongla Road,
- (6) Thaton-Mawlamyine-Myeik-Dawei-Kawthoung Road, and



Maximum length of a non-articulated truck.

(7) Dawei-Sinbyutaung-Kanchanaburi Road

According to the market economy exercised in Myanmar, the border trade is being upgraded to a regular trade. In maximum, the loads for each of the trucks from Myanmar that carry exported and imported goods along the Myanmar ASEAN Road is limited to 38 tons. And each of them must have six axles.

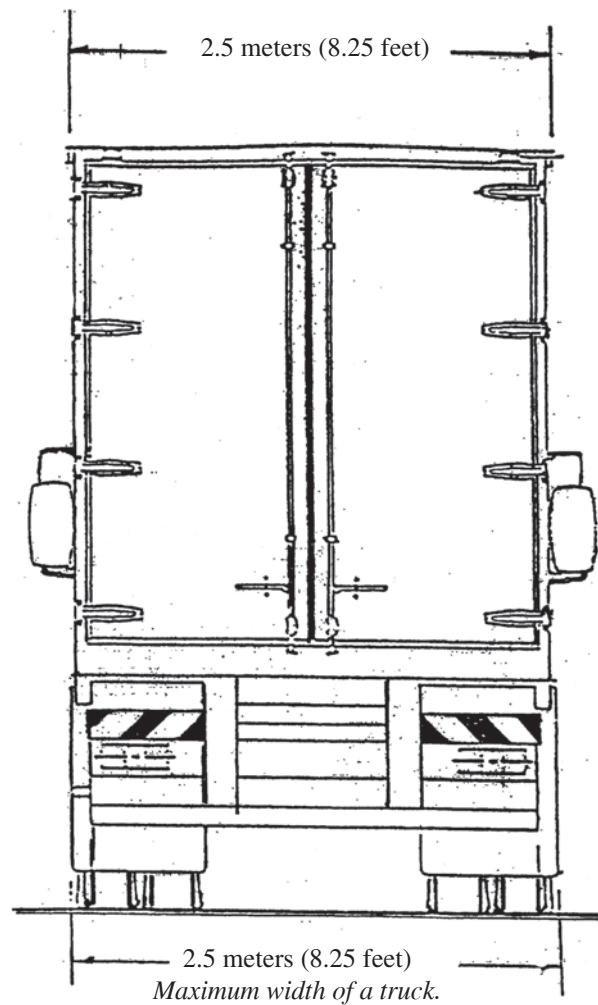
Limits for trucks

At the international level, there are some limits on models of trucks, and fixed numbers of axles for trucks.

Country Length of Truck

Country	Length of Truck
Singapore	Maximum Length = 33.0 feet (non-articulated vehicle)
	Maximum Length = 52.8 feet (articulated vehicle)
Malaysia	Maximum Length = 40.26 feet (non-articulated vehicle)
	Maximum Length = 52.8 feet (articulated vehicle)
ASEAN standards shown in figures	Maximum Length = 40.26 feet (non-articulated vehicle)
	Maximum Length = 52.8 feet (articulated vehicle)
ASEAN standards shown in figures	Maximum Width = 8.25 feet (non-articulated vehicle)
	Maximum Width = 13.68 feet (truck)
ASEAN standards shown in figures	Maximum Height = 1.75 times of WB (non-articulated vehicle)
	Maximum Height = 13.68 feet (truck)
ASEAN standards shown in figures	Body Length = 50% of WB (non-articulated vehicle)
	Body Length = 60% of WB (bus)
ASEAN standards shown in figures	Maximum Height = 1.75 times of WB (non-articulated vehicle)
	Maximum Height = 13.68 feet (truck)
ASEAN standards shown in figures	Body Length = 50% of WB (non-articulated vehicle)
	Body Length = 60% of WB (bus)

The purpose of the limitations for vehicles is to avert damage to roads due to vehicles because ASEAN roads are to meet ASEAN standards, and to save vehicle users from dangers caused by substandard vehicles. If a truck does not carry loads beyond limit, it can last long, it can keep its balance at bends, it can move in safety under bridges and



Maximum width of a truck.

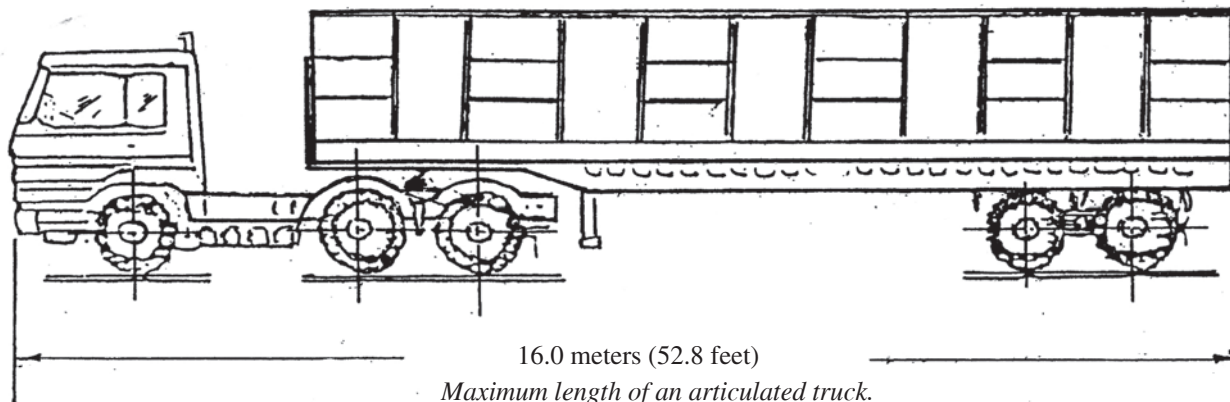
electric cables, and it will not pose any disturbances to other vehicles.

If the vehicles bound from Myanmar for ASEAN Network roads do not meet the standards, they will not be allowed to use the roads.

In Myanmar, many of the trucks are excessively strengthened ones. Roads in Myanmar are designed to be able to withstand 40 to 60 tons, more than ASEAN limit of 38 tons. So, the cost of building roads is higher than normal.

It is also said that there will be less damage to the roads in Myanmar only if trucks are to be installed with internationally fixed number of axles and are prohibited from overloading in order that roads in Myanmar meet ASEAN standards and the expenses on roads can be reduced.

(To be continued)
Translation: MS



Maximum length of an articulated truck.

9th Plenary Meeting of 6th 47-member...

(from page 1)

At the meeting, Agga Maha Ganthavacaka Pandita Bhaddanta Samvara discussed Vinicchaya affairs, Agga Maha Pandita Bhaddanta Panditabhivamsa religious affairs and Agga Maha Pandita Bhaddanta Uttamañanabhivamsa academic affairs on reports submitted by the SSMNC Third Branch.

In the afternoon session, members of the State Sangha Maha Nayaka Committee discussed and decided Vinicchaya, religious and academic affairs.

In response to the discussions and decisions about the report on the Sixth SSMNC (Third Branch), Joint-Secretary Agga Maha Pandita Agga Maha Saddhamma Jotikadhaja Bhaddanta Jotikabhivamsa replied to the discussions on the report and sought the approval of the meeting.

Next, member Sayadaws discussed tasks to be carried out in accord with the Vinaya Dhamma



The 9th Plenary Meeting of 6th 47-member State Sangha Maha Nayaka Committee continues for second day at Wizaya Mingalar Dhammathabin Hall on Kaba Aye Hill.—MNA

procedures Chapter (7), Para 56 (c) and selection of State Vinaya Sayadaws. Then, the meeting concluded successfully.

Well-wishers U Tin Sein and wife Daw Kyin Thein offered day's meal to the Sayadaws.

MNA

Lt-Gen Tha Aye on inspection tour of Haka, Thantlang townships



Lt-Gen Tha Aye of Ministry of Defence inspects BEHS in Thantlang.— MNA

NAY PYI TAW, 8 Nov – Lt-Gen Tha Aye of the Ministry of Defence, together with Chairman of Sagaing Division Peace and Development Council Commander of North-West Command Maj-Gen Myint Soe and Chin State PDC Chairman Brig-Gen Hong Ngai, met with and presented gifts to military officers and other ranks and their families at the hall of Haka Station on 4 November morning.

Next, they inspected repairs of the lake in Zayhaung Ward, tea plantations in Inkyalo village and the training school for development of youths in border areas. Lt-Gen Tha Aye and the commander presented gifts to the trainees. They then looked into progress in construction of the main patient ward of Haka People's Hospital (200-bed), the women's vocational training school, Haka-Thantlang road section and paddy and crops plantations.

In Thantlang Township, Lt-Gen Tha Aye heard a report on requirements for regional development presented by local people and officials, fulfilled the needs and presented gifts to the local people and teaching aids to Haka Basic Education High School.

Lt-Gen Tha Aye visited Thantlang Township Hospital, and made cash donations for the hospital and presented gifts to the staff. He also went to Thantlang BEHS.

Later, they visited the digital auto exchange and the training school for development of youths in border areas and inspected the tea plantation in Ward-3. At the briefing hall of Public Works at mile post 6/5, Lt-Gen Tha Aye inspected construction tasks.

MNA

Talks on Disaster Risk Reduction held

YANGON, 8 Nov—Talks on Disaster Risk Reduction organized by Yangon Division Peace and Development Council and Mingalar Myanmar Social Organization were held at the Myanmar Engineering Society on Yangon University (Hline) campus here this morning.

Present on the occasion were Deputy Minister for Hotels and Tourism Brig-Gen Aye Myint Kyu, the director-general of Department of Basic Education No. 3 and officials, the experts, teachers from Basic

Education Schools in Yangon Division and guests.

Secretary of Yangon Division Peace and Development Council U Khin Maung Tun, Chairman of Myanmar Engineering Society U Han Zaw and Director of Mingalar Myanmar Social Organization Daw Yuzer Maw Tun gave talks on Disaster Risk Reduction.

After that, the ceremony concluded with the remarks by the Deputy Minister. Afterwards, experts gave talks on Disaster Risk Reduction.—MNA



Deputy H&T Minister Brig-Gen Aye Myint Kyu gives concluding remarks at the talks on Disaster Risk Reduction.—MNA

First Basic Education ISD U-16 Men's and Women's Basketball Tournament to be held

YANGON, 8 Nov—Under the supervision of the Ministry of Education and Ministry of Sports, Myanmar Basketball Federation is going to organize the First Basic Education Inter-State/Division U-16 Men's and Women's Basketball Tournament at Aung San Gymnasium here at 9 am from 9 to 16 November.

Yangon, Bago, Sagaing, Mandalay, Ayeyawady and Magway Divisions, Mon, Kayin, Shan (South), Shan (North) and Kachin States will participate in the tournament.

The first prize is K 600,000, the second, K 400,000, joint third prizes, K 300,000 each and the best player, K 10,000.

MNA

Lt-Gen Min Aung Hlaing on inspection tour of Kengtung-Mongkun-Mongkhok

NAY PYI TAW, 8 Nov—Lt-Gen Min Aung Hlaing of the Ministry of Defence, accompanied by Chairman of Shan State (East) Peace and Development Council Commander of Triangle Region Command Maj-Gen Kyaw Phyo and officials, on 6 November inspected construction of Kengtung-Mongkun-Mongkhok road section and gave instructions on meeting set standard.

At Basic Education High School in Mongkhok, Lt-Gen Min Aung Hlaing viewed the students taking education and presented exercise books and cash.

At Mongkhok People's Hospital, he presented foodstuff to patients and looked around the hospital. Lt-Gen Min Aung Hlaing and the commander presented medicines and cash to medical trust funds.

On 7 November, Lt-Gen Min Aung Hlaing



Lt-Gen Min Aung Hlaing of Ministry of Defence inspects BEHS in Mongkhok.—MNA

met with officers and other ranks and their families in Monghsat station.

At station hospital, he encouraged patients and gave cash and foodstuff.

On arriving at Monghsat District People's Hospital, he comforted the patients and presented

cash and foodstuff to patients. He later looked around the hospital.

Afterwards, Lt-Gen Min Aung Hlaing heard reports on construction of extended operation theatre contributed by officials and donated medicines and medical equipments.—MNA

Development of communication task coordinated



Minister Brig-Gen Thein Zaw views CDMA 450 MHz machines at Shwegondine Mobile Station.—CPT

NAY PYI TAW, 8 Nov—Minister for Communications, Posts and Telegraphs Brig-Gen Thein Zaw today attended the coordination meeting on development of communication task at Ahlon Auto-exchange, here.

Chief Engineers reported on matters related to installation of wireless auto-telephones CDMA 2000 1X (800 Mhz) in Yangon and Mandalay, and preparation on installation of CDMA 450 MHz for development of communication sectors in major cities and rural areas.

After attending to the needs, the minister gave instructions on installation of communication equip-

ment as soon as possible and inspected arrival of wireless auto-telephones and machines to be used in Yangon and Mandalay.

At Shwegondine Mobile Station, the minister viewed CDMA 450 MHz machines in the control room.—MNA

Research paper reading session of 10th MTMPC concludes

NAY PYI TAW, 8 Nov—The research paper reading session of the 10th Myanmar Traditional Medicine Practitioners' Conference concluded at the meeting hall of the Ministry of Health, here, this morning.

Director-General of Traditional Medicine Department Dr Tin Nyunt presided over the meeting together with members of panel of chairmen University of Traditional Medicine Rector Dr Aung Myint and U Kyi Lin of Myanmar Traditional Medicine Practitioners' Association.

In the first reading session, Dr Khin Maung Lwin

and party of Central Health Department, Dr Phyu Phyu and party of Medical Research (Upper Myanmar), Daw Wah Wah of Myeik, and U Hla Than and party of Nay Pyi Taw Lewe read out respective research papers.

Director-General Dr Tun Naing Oo of Medical Research Department (Central Myanmar) presided over the session together with members of panel of chairmen U Meik of Mandalay Division and U Thein Win of Ayeyawady Division at the second session.

Resource persons Daw Myint Myint San of Forest

Research (Yezin), Zar Ni Tun Lwin and party read out respective research papers.

Acting Director-General Dr Kyaw Zin Thant of Medical Research Department (Upper Myanmar) presided over the meeting together with members of panel of chairmen U Kyaw Shein of Mon State and U Kan Si of Shan State at the third session.

Resource persons read out respective research papers.

Next, meeting chairman Dr Tin Nyunt discussed matters related to the papers submitted at the sessions.—MNA



Responsible persons of PS Business School seen with special prize awarded by Chartered Institute of Marketing Singapore.—NLM

PS Business School wins special prize in IMC 09

YANGON, 8 Nov—The PS Business School that competed in 6th International Market Implementation Contest conducted by Chartered Institute of Marketing Singapore held at Hotel Rc in Singapore for the first time on 24 November won the special prize.

The PS Business School had discussion with responsible persons to get chance for participation of teams from Myanmar in the contest for next years. At the contest, The PS Business School gave answers to judges' questions in which getting Global Perceptive, being familiar with advanced technology. The PS Business School obtained proposal from CIMS. CEO Ko Myo Min (MCIM-CIM-UK) of the PS Business School gave talk on providing necessary assistance for participants to enable them to participate in the contest.—NLM

Commander attends ceremony to honour victorious athletes

NAY PYI TAW, 8 Nov—A ceremony to honour the athletes who secured first prizes in the 25th Defence Services Commander-in-Chief's Shield U-21 Tatmadaw (Army, Navy and Air) Football Tournament and

the 16th Defence Services Commander-in-Chief's Shield Tatmadaw (Army, Navy and Air) Cycling Contest was held at the hall of Eastern Command headquarters in Taunggyi on 31 October. At the ceremony,

Chairman of Shan State Peace and Development Council Commander of Eastern Command Maj-Gen Yar Pyae delivered an address and presented cash prizes to the winners.

MNA



Chairman of Yangon Division Peace and Development Council Commander of Yangon Command Maj-Gen Win Myint and wife being welcomed on 7 November evening by Military Attache Colonel Brey R Sloan of the Embassy of the United States of America at the reception to mark 234th Anniversary of the US Marine Corps.—MNA

11th Myanmar Veterinarians' Conference opens

YANGON, 8 Nov—The opening ceremony of the 11th Myanmar Veterinarians' Conference was held at Thiri Annawa Hall of Myanmar Fisheries Federation in Insein

Myint Thein and Chairman of Myanmar Veterinarians' Association Dr Than Tun formally opened the exhibition of medicines for animals and related items and then the

FAO to Myanmar Dr Shin Imai, international experts of Bird Flu Control Program and JICA, entrepreneurs of medicines for animals and related items and vets totalling 600.



Minister Brig-Gen Maung Maung Thein speaking at opening ceremony of 11th Myanmar Veterinarians' Conference. —LBVD

Township yesterday, with an address by Minister for Livestock and Fisheries Brig-Gen Maung Maung Thein.

Next, Director-General of Livestock and Veterinary Department Dr

minister and heads of department viewed round the exhibition.

Present on the occasion were heads of department under the ministry and organizations, resident representative of

The conference included paper reading sessions of local and international experts, selection of board of executives for the term of 2010-2012 and respects paid for aged veterinarians.—MNA

Sports Minister meets locals of Sagaing Division

NAY PYI TAW, 8 Nov—Minister for Sports Brig-Gen Thura Aye Myint provided cash assistance for construction of Basic Education Primary School in Moksochon Village, sports gear, exercise books for villages and publications for library in meeting with the villagers from Moksochon and Yin Mar Kan Villages, Wetlet Township of Sagaing Division yesterday.

Next, the minister met locals from four villages in Yintaw Village where he presented sports gear, exercise books to the villages and publications to village libraries.—MNA



Minister for Sports Brig-Gen Thura Aye Myint meets with local people at Moksochon Village of Wetlet Township. ▢

MNA

Korean Speech Contest on 11 Dec

YANGON, 7 Nov—The Embassy of the Republic of Korea will organize the 7th Korean Speech Contest at Traders Hotel, here, at 2.30 pm on 11 December.

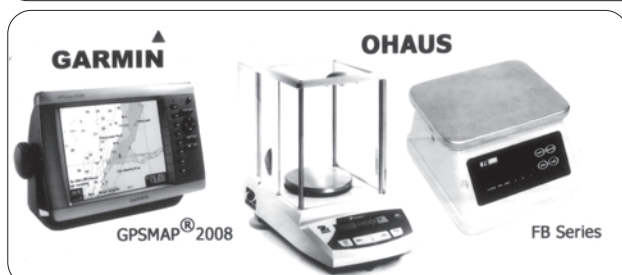
An interested person who has passed the level-4 or higher of Test of Proficiency in Korean (TOPIK) may enroll for the contest within 4 to 13 November.

The preliminary test will be held in Yangon and Mandalay on 20 November to select 10 qualified candidates for the final contest. The speech contest will be open to the public.

The application forms are available at the Embassy of ROK in Yangon and at Mrs Chang Jeong-eun of Korean Language Department at Mandalay University of Foreign Languages. For further information, contact the ROK Embassy, Tel: 527142~4.

MNA

Garmin GPS, OHAUS digital balance on sale



YANGON, 8 Nov—The Concordia Int'l Co Ltd will launch special sale programme for Garmin GPS and OHAUS brand digital balance used in laboratory, cold storage and gold shop at its office at Shwegondine Plaza in Bahan Township from 9 to 13 November.

The Garmin GPS plays a key functional role

for vessels in fishing and available for about K 750,000. It figures with Myanmar sub-title colour display, eight inches screen. And it is also assists users in observing 36 miles knot radius and 5000 feet in depth. The company gives service for GPS installation (only within Yangon area) and 1-year warranty card.

OHAUS digital balance can give accurate unit including 14 units such as gram, carat, and milligram. Being used with rechargeable battery it can stand 40 hours only by charging 12 hours. One digital balance can be caught free for buying ten.

For more information, please contact Yangon (Ph: 01-544824, 544199 and 540026), Ko Kyaw Swe (Ph: 01-298882), Mandalay (Ph: 02-36478, 09-5067172 and 02-69303), Nay Pyi Taw (Ph: 067-420819, 421362 and 421362), Sun Electronics in Patheingyi (Ph: 042-24100,

22339, 09-5200220), Ko Sithu in Kyaikkhami (Ph: 09-8725553) Ko Okkar in Thanbyuzayat (Ph: 09-8702092) and C4E computer in Myeik (Ph: 059-41287, 42686 and 42687).—MNA

China's energy-saving, environmental protection industry has bright prospect

BEIJING, 8 Nov— The output value of China's energy saving and environmental protection industry would hit 2.8 trillion yuan (412 billion U.S. dollars) by 2012, said Xie Zhenhua, deputy director of the National Development and Reform Commission on Sunday.

Those sectors have become a new economic growth point and have bright prospects in China, Xie said at the fourth

China-Japan Energy-saving and Environment Protection Forum which began on Sunday.

He said the government will beef up investment in the construction of resource recycling projects, which will directly boost the industry development.

He noted the government will further reform the pricing system of the resource products.

Enterprises should

also enhance innovation to break technological bottleneck notably in the development of clean coal transfer technology and pollutants treatment facilities.

China has been pushing for a national energy saving campaign to address the worsening conflicts between economic growth and environmental deterioration.

Xinhua



Twin baby elephants, Ram and Laxman.—INTERNET

Twin baby elephants' birthday celebrated in Nepal

KATHMANDU, 8 Nov—A throng of people gathered on Saturday enthusiastically in an elephant breeding centre in Nepali Chitwan National Park (CNP) as the CNP hosted a birthday party, not for any famous people, but for the first twin baby elephants' birthday.

Narendra Man Pradhan, Chief Conservation Officer at the park, put off two candles lit on a well-wrought cake of fruits and expressed birthday wishes to the baby elephants.

"We are very happy

to celebrate their birthday for it maybe the first case to celebrate the birthday of twin elephants in Asia or even the world," local newspaper The Kathmandu Post cited Rajendra Panuhar, who are in charge of the breeding centre as saying.

"We have celebrated their first birthday, but we are yet to name them," said Pradhan, adding that the CNP would soon recommend the Department of National Parks and Wildlife Conservation (DNPWC) to name them as Ram and Laxman.

An elephant named Dev Kali aged over 30 years gave birth to the twins in Khorsor breeding centre last year. Dev Kali is now living healthily in the centre while Romio, who impregnated her, died this year.

Most of the conservationists, were elated with the birth of twin elephants in the centre.

CNP also honored three employees who have been taking care of the twins in the breeding center amid the birthday party.

Internet



More than eight mln Chinese inoculated with A/H1N1 flu vaccine

BEIJING, 8 Nov— More than eight million Chinese people have been inoculated with the A/H1N1 flu vaccine as of Sunday noon, the Ministry of Health said here on Sunday. The vaccination campaign has been launched across the country targeting high risk groups, and more than 39 million doses of vaccines have been approved for use as of Sunday, according to the ministry.

As of Friday, nearly 55,000 confirmed A/H1N1 flu cases have been reported on the Chinese mainland, over 75 percent of whom have recovered. Among the 176 cases of serious condition, 52 have recovered, the

ministry said.

Sixteen people on the Chinese mainland had died of the flu as of Friday, the ministry said.

The flu had entered a period featured by high frequency and quick increase in the number of infected cases in the country, and it could last through March next year, ministry experts warned earlier.

The capital Beijing made a decision on Friday to extend the vaccine inoculation to all the 16 million residents in the city.

China is the first country in the world to issue a production license for A/H1N1 vaccines.

Xinhua

Thai and Japanese youths attempt to pull a Japanese aircraft at Suvarnabhumi airport in Bangkok on 7 Nov, 2009.

INTERNET

BIG TV eyes three mln-subscriber base by March 2010

NEW DELHI, 8 Nov—Direct-to-Home operator Reliance BIG TV is eyeing three million-subscriber base by the year-end, and will add 25-30 more channels by March 2010, taking its total channel offering to about 265.

At present, the company has a user base of over two million subscribers, and is working to rapidly expand DTH segment to tap more customers.

"The industry is now growing at a good pace and we should be closing the year with three million subscribers. We are strengthening our channel offerings, which includes regional content as well," Reliance BIG TV senior Vice-President Umesh Rao said.

BIG TV is also focussing on its pay-per-view (PPV) platform.

"Though PPV is nascent now, we believe it has a huge potential and can become a differentiating factor between players," Rao said.—Internet



A boy leads his cattle to a partially dried-up pond on the outskirts of Yingtan, Jiangxi province, on 7 Nov, 2009.

INTERNET

Afghan police bust kidnappers' gang in Taleban birthplace

KABUL, 8 Nov— Police have busted a gang of kidnappers in Kandahar, the birthplace of Taleban militants in south Afghanistan, a press release of Interior Ministry said on Sunday.

"Police arrested five kidnappers from Kandahar and rescued two children from their custody," the press release said.

The kidnappers had demanded 200,000 US dollars as ransom for the release of the innocent children.

Xinhua

TRADEMARK CAUTION
P.T. Kalbe Farma, Tbk, a company incorporated in Republic of Indonesia, and having its registered office at Kawasan Industri Delta Silicon, J.M.H. Thamrin Blok A3-1, Lippo Cikarang Bekasi, 17550, Indonesia, is the owner and proprietor of the following Trademark:

KALFOXIM

Reg. No. 4/452/2000 (2.2.00) in respect of "Pharmaceutical preparations, pharmaceutical products, medicines" in Int'l Class 5.

Fraudulent or unauthorised use, or actual or colourable imitation of the said mark shall be dealt with according to law.

U Than Maung, Advocate
For P.T. Kalbe Farma, Tbk,
C/o Kelvin Chia Yangon Ltd.,
#701/702 Traders Hotel
Yangon, Union of Myanmar.
kelvin.chia.ygn@mptmail.net.mm
Dated 9 November 2009

Bank Holiday

All Banks will be closed on 11th November (Wednesday) 2009, being National Day under the Negotiable Instruments Act.
Central Bank of Myanmar

Invitation to Tender

Sr. No	Description	Qty	IssuingDate	Closing Daate
1.	စက်ဝတ္ထုသယ်ယူပို့ဆောင်ရေး	ကွန်တိန်နာ(၂)လုံး	9.11.2009	12.11.2009
2.	Wheel Loader(2-3)m3(FE)	1 Unit	9.11.2009	23.11.2009
3.	Mould & Liner (Ks)	1 Lot	9.11.2009	23.11.2009
4.	Zirconium Silicate (Ks)	60 Tons	9.11.2009	23.11.2009
5.	Printing Machine (Ks)	3 Sets	9.11.2009	23.11.2009

Tender forms and documents are available at the Procurement Department, Myanmar Ceramic Enterprise, Ministry of Industry (1), Office No. 41, Nay Pyi Taw, during office hours. Tender will be accepted only from Bidder who purchased Tender Documents officially. (For further details, contact telephone number. 067.408298)

Myanma Ceramic Industry



People walk through a cross-border tunnel in Tijuana, Mexico on 7 Nov, 2009. The unfinished tunnel with electricity and a ventilation system, is 10 metres (33 ft) deep, 122 metres (400 ft) long and is missing only 143 metres (469 ft) for drug traffickers and illegal immigrants to reach California in the US, according to local authorities.—INTERNET

Moderate quake jolts Tibet; no reports of deaths

LHASA, 8 Nov—There have been no reports of casualties and building collapses after a moderate earthquake hit Xigaze Prefecture of southwest China's Tibet Autonomous Region early Sunday morning, local government

sources said. The quake measuring 5.6 on the Richter scale struck an area bordering the Ngamring and Saga counties at 4:08 am, according to the National Seismological Network. The epicenter was detected as 29.4 degrees north latitude and 86.1 degrees east longitude, with a depth of about 33 km.

Puqiong, director of the general office of the Ngamring county government, told Xinhua by phone that the government hasn't received any reports of casualties or building collapses.

Xinhua

Mexican army makes large opium seizure

MORELIA, 8 Nov—The Mexican army said on Saturday it has seized a shipment of almost a quarter-ton of opium in the country's northern mountains, one of the largest such seizures made in Mexico.

The 448 pounds (203 kilograms) of opium paste was found on Thursday hidden in nine plastic containers in the township of Guadalupe y Calvo, in the border state of Chihuahua, the Defense Department said in a statement. Seven rifles, three pistols and nearly 10,000 rounds of ammunition were found along with the opium, which can be refined to make heroin. The army said it could have yielded 200,000 doses of heroin or similar drugs. The Defense Department called it "the largest seizure of opium paste ever in our country." However, police in the southern state of Guerrero seized 627 pounds (284 kilograms) of opium paste near the resort of Acapulco in 1999. Also on Saturday, one policeman was killed and four wounded in an attack by gunmen in a drug-plagued part of southern Mexico.

Gunmen opened fire on two police patrol vehicles responding to reports of a dead body left on a roadside. Authorities in the town of La Union, in Guerrero state near the border with Michoacan, said the unidentified gunmen fled following the attack. The victims were Guerrero state police officers.—Internet

A/H1N1 flu death toll rises to 23 in Turkey

ANKARA, 8 Nov—Turkey reported two more influenza A/H1N1 death cases in the past 24 hours, bringing the national death toll of the novel flu to 23, Turkish Health Ministry said on Saturday.

The ministry said in a statement that the latest victims were two women, aged 43 and 53, without giving more details.

Turkey has witnessed a fast rise of A/H1N1 flu deaths during the past two weeks.

On Friday, Turkish Health Ministry said two Turks died of influenza A/H1N1 in Turkey, bringing the death toll to 21.

Internet

Afghan A/H1N1 flu patient dies in Pakistan

ISLAMABAD, 8 Nov—An Afghan female who was infected with A/H1N1 influenza died at a hospital in northwest Pakistan's city of Peshawar on Saturday, hospital authorities confirmed.

Hospital authorities informed the official news agency APP that Lateefa Bibi, 40, from Helmand Province of Afghanistan was suffering from high fever for the last few days. She was admitted in North West Hospital in Hayatabad, a modern sub-

urb on the southwestern fringe of Peshawar, where her blood samples were obtained for laboratory tests by the World Health Organization (WHO) team who later confirmed the A/H1N1 influenza.

After confirmation of the A/H1N1 influenza in the Afghan female, the hospital authorities also obtained the blood samples of the newborn baby of the infected female, her attendants and the staff of the hospital, the hospital authorities said.

Health officials said that in Afghanistan the cases of A/H1N1 influenza were regularly reported and the death had also been reported there.

Xinhua

Three killed in Andorra bridge collapse

ANDORRA LA VELLA, 8 Nov—A bridge collapse in Andorra on Saturday killed at least three workers, left seven badly hurt and one missing, feared buried under the rubble, the government said.

Some 20 metres (22 yards) of the concrete structure of the road bridge, which was under construction, collapsed near the Dos Valires tunnel in the Massana valley in the northwest of the principality sandwiched between France and

Spain. Eleven men were swept away in a mass of concrete and steel scaffolding when the accident happened.

Rescue services recovered two bodies shortly after the accident, and a third was pulled from the rubble later.

Firemen and police are still trying to free one man

stuck in the rubble since the accident happened at midday. One worker was still unaccounted for.

The injured man was trapped in rubble up to his waist and was being treated with sedatives. Rescue teams were trying to keep him warm amid plunging temperatures.

Internet



The construction site where a bridge collapsed in Massana near Andorre-la-Vieille. A bridge collapse in Andorra on Saturday killed at least three workers, left seven badly hurt and one missing, feared buried under the rubble, the government said.

INTERNET

One killed, two injured in shooting near Vail

VAIL, 8 Nov—Gunfire at a bar near the Colorado ski resort town of Vail killed one and injured two on Saturday night, and a man was quickly arrested in connection with the shooting, police said.

A man who was being escorted out of Sandbar Sports Grill Bar pulled out a gun and shot someone in the arm, bar patron Nancy Lewis said.

Other witnesses told the Vail Daily newspaper that the man fired several shots, then re-entered the bar and fired several more shots. Police received an emergency call at around 7:30 pm.

One of the injured victims has suffered significant injuries, Vail Police Chief Dwight Henninger said. The second person wasn't severely wounded, he said.

Police haven't released the names of the victims. The town of Vail has identified the shooting suspect as Richard Moreau, 63, of Vail. He's being held in the town's jail, authorities said.—Internet



Model present creations at the "Rosestudio" GUO Pei High Class Fashion Show 2010 during the China Fashion Week in Beijing, capital of China, on 6 Nov, 2009. —XINHUA

Russian rockets shipped for French Guiana launch

SAINT PETERSBURG, 8 Nov — The first Russian rockets to be fired into space next year from a space centre in distant South America were on Saturday to begin the long voyage to the launch site from Saint Petersburg.

Two Russian Soyuz rockets, the mainstay of its space programme, were later Saturday to leave the northern city by ship bound for the French overseas department of French Guiana ahead of their expected launch next year.

Packed in containers on board the French vessel Le Colibri, they will arrive 15 days later ahead of the first planned launches next year of Soyuz rockets from France's launch site in French Guiana.

"We are in line for the first launch in the second quarter of next year," the chief executive of French aerospace firm ArianeSpace Jean-Yves Le Gall told AFP.

Didier Coulon, the head of the project at the European Space Agency (ESA), said the first launch could take place as early as April.

Finally confirming the project is

ready after a string of delays, he said that the first satellite to be launched by a Soyuz from French Guiana will be the Hylas telecommunications satellite of British firm Avanti Communications.

The satellite will deliver broadband and corporate data network services across Europe, according to the company.—Internet



File photo shows a girl runs in front of real size monument of Russian space rocket Soyuz at the Russian-leased Baikonur cosmodrome in Kazakhstan in May 2009.

INTERNET

US tourist dies 'car surfing' in Puerto Rico

SAN JUAN, 8 Nov — Police say a US tourist who was pretending to be surfing on the hood of a friend's moving car was killed when he fell and broke his neck in a popular Puerto Rican beach town.

Police spokeswoman Yolanda Hernandez says 29-year-old Long Beach, New York, resident Jorge Geysel fell off his friend's Isuzu Trooper as he was "car surfing" along a road in the west coast community of Rincon early on Saturday. Hernandez says the insurance salesman died instantly.

It was not clear how fast the car was traveling. Hernandez says she can't yet say whether Geysel's two companions will face any criminal charges.

Internet

Alaska island village hit by suspected swine flu

ANCHORAGE, 8 Nov — Suspected swine flu is sweeping a traditional Eskimo whaling village on a remote Alaska island — prompting an urgent medical mission to deliver help. "Diomedes is probably the most isolated place in the United States right now," said David Head, a doctor involved in the effort. "We thought it would be better to go out there and just vaccinate people."

So many of the 130 residents of Diomedes have been stricken with flu-like symptoms that the Alaska Army National Guard stepped in with a Black Hawk helicopter to transport a medical team from Nome 135 miles away, where Head is chief of staff at Norton Sound Health Corp.

Diomedes, located less than three miles from Russia's Big Diomedes Island in the Bering Strait, is all the more isolated because passenger air service was halted four months ago when the sole helicopter used for that purpose was sidelined for repairs. "There's no way people can get out of here," said 73-year-old Patrick Omiak Sr, the village tribal council president. "For emergencies, I'm real glad about the National Guard." A different helicopter still delivers mail and goods, but for liability reasons cannot carry passengers.—Internet

Japan eyes solar station in space as new energy source

TOKYO, 8 Nov — It may sound like a sci-fi vision, but Japan's space agency is dead serious: by 2030 it wants to collect solar power in space and zap it down to Earth, using laser beams or microwaves.

The government has just picked a group of companies and a team of researchers tasked with turning the ambitious, multi-billion-dollar dream of unlimited clean energy into reality in coming decades.

With few energy resources of its own and heavily reliant on oil imports, Japan has long been a leader in solar and other renewable energies and this year set ambitious greenhouse gas reduction targets.

But Japan's boldest plan to date is the Space Solar Power System (SSPS), in which arrays of photovoltaic dishes several square kilometres (square miles) in

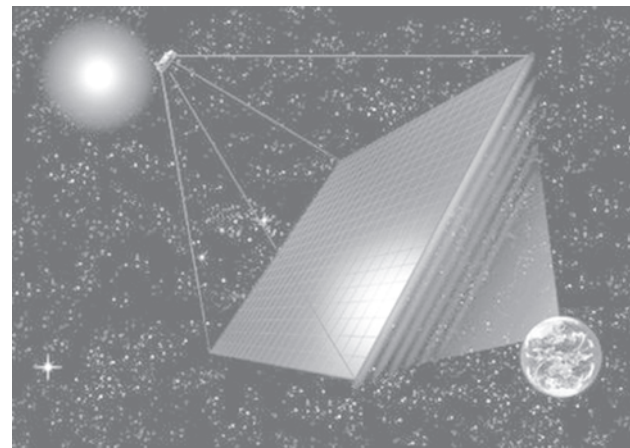
size would hover in geostationary orbit outside the Earth's atmosphere. "Since solar power is a clean and inexhaustible energy source, we believe that this system will be able to help solve the problems of energy shortage and global warming," researchers at Mitsubishi Heavy Industries, one of the project

participants, wrote in a report.

"The sun's rays abound in space."

The solar cells would capture the solar energy, which is at least five times stronger in space than on Earth, and beam it down to the ground through clusters of lasers or microwaves.

Internet



This file graphic illustration released from Japan's Institute for Unmanned Space Experiment Free Flyer (USEF) shows a system of space solar power system (SSPS) which consists of a large solar power generator and transmission panel. Japan's space agency hopes to by 2030 collect solar power in space and zap it down to Earth, using laser beams or microwaves.—INTERNET

One Italian dead, another critically injured in E China road accident

HANGZHOU, 8 Nov — A car rammed into a roadside heavy-duty truck in east China's Zhejiang Province on Sunday morning, killing two people, including an Italian.

The car ran into a truck fully loaded with cement at around 5 pm in

Huajie Town in Yongkang City and was immediately ablaze, local police said. Two persons in the car were killed at the scene.

The accident also seriously injured another Italian in the car.

The injured is in stable condition after emergency treatment, according to the Yongkang No 1 People's Hospital.

Further details about

the identities of the dead and injured were not immediately known.

The car was en route to Yongkang from Jiahua and the truck had been parked at the roadside for some time for repairs, police said. Over-speeding and low visibility might be the cause of the accident, police said. The accident is under further investigation.

Xinhua



Andara Rainy (C) waves to the audience after been crowned Miss Tourism Indonesia 2009 in Jakarta, capital of Indonesia, on 7 Nov, 2009. Andara Rainy, champion of this year's pageant from Jakarta, will represent Indonesia to compete in Miss Tourism International 2009. —XINHUA

SPORTS

Mickelson rallies to win HSBC Champions

SHANGHAI, 8 Nov—Phil Mickelson won the HSBC Champions on Sunday by rallying against a familiar foe.

Only it wasn't Tiger Woods.



Phil Mickelson (pictured) has birdied the last hole to take a two-stroke lead over Tiger Woods and Nick Watney at the HSBC Champions, setting up an enticing finale in the World Golf Championship event.—INTERNET

Mickelson made an 18-footer to save par on the 16th after whiffing on a flop shot, then holed a 10-foot birdie putt on the 17th to close with a 3-under 69 and overcome a late charge by Ernie Els, who was in the lead until hitting into the water and making bogey on the final hole.

Woods was never a factor in the final World Golf Championship of the year, falling six shots behind on the front nine and doing well to stay on the leaderboard the rest of the way. He hit into the water with his third shot on the par-5 18th and had to scramble for bogey to close with a 72 and tie for fifth, five shots behind.

Internet



Arsenal's players observe a minute silence for Remembrance Day before the start of their English Premier League soccer match against Wolverhampton Wanderers at Molineux Stadium, Wolverhampton, England, on 7 Nov, 2009.—INTERNET

Big win for Arsenal, fifth straight tie for Man City

LONDON, 8 Nov—Arsenal enjoyed an easy 4-1 win over Wolverhampton in the English Premier League on Saturday while Manchester City extended their drawing-streak to five after a 3-3 tie against Burnley.

Wolverhampton tried to depress their formidable rivals with attacking, but just to expose more space for the Gunners counterattack, they then suffered two own goals successively.

After 28 minutes, Ronald Zubar turned Cesc Fabregas's corner into his own net as the defender seemed paying too much attention to Arsenal striker Eduardo next to him. Eduardo shot comfortably in a rapid counterattack eight minutes later, watching the ball curled into the right top of the net after hitting Jody Craddock's head.

Xinhua

BARCLAYS PREMIER LEAGUE

(8-11-2009)

Chelsea	1 - 0	Man Utd
Hull City	2 - 1	Stoke City
West Ham Utd	1 - 2	Everton
Wigan Athletic	1 - 1	Fulham

Wayne Rooney of Man United controls the ball under pressure from Nicolas Anelka. INTERNET



SKorea's football club Pohang Steelers shocked two-time champions Al Ittihad 2-1 to lift the AFC Champions League for the first time Saturday, adding to their titles in the former Asian Club Championship in 1997 and 1998. INTERNET



Five-goal Juventus pile pressure on Inter

ROME, 8 Nov—Juventus closed the gap on Inter Milan at the top of Serie A to four points on Saturday after a thrilling 5-2 win against Atalanta in Bergamo.

Mauro Camoranesi scored twice in as many minutes to give the Bianconeri a 2-0 lead at half-time.

Valdes reduced the deficit early in the second half, but a Felipe Melo scorcher

restored the two-goal advantage four minutes later.

Fabio Ceravolo set up a grandstand finish on 71 minutes, but late goals from Diego and David Trezeguet, with his record-equalling 167th for the club, left the scoreline looking slightly harsh for a valiant Atalanta.—INTERNET

Juventus midfielder Mauro Camoranesi (R) heads the ball and scores against Atalanta during their Italian Serie A football match at the Atleti Azzurri d'Italia Stadium in Bergamo. Juventus closed the gap on Inter Milan at the top of Serie A to four points on Saturday after a thrilling 5-2 win against Atalanta. INTERNET



Ten-man Real keep in touch with leaders Barcelona

BARCELONA, 8 Nov—Ten-man Real Madrid survived a late fightback by Atletico Madrid to win 3-2 and keep the pressure on Spanish league leaders Barcelona on Saturday.

In an action-packed derby at the Calderon, Kaka gave Real the lead after just five minutes although there were suspicions of a foul on Cleber Santana in the lead-up.

Chances came and went for both sides but Real were more clinical with Marcelo doubling the advantage with an acute drive with his weaker right foot.

Still not fully fit, Sergio Aguero was introduced in the second half and after running through on goal was brought down by Sergio Ramos who was dismissed.

However, Real went further ahead through Gonzalo Higuain after 73 min-

utes before Atletico launched an assault which saw Diego Forlan and Aguero both score.—INTERNET



Atletico Madrid's forward Diego Forlan (R) clashes with Real Madrid's midfielder Xabi Alonso during their Spanish League football match at Vicente Calderon stadium in Madrid in Madrid. Real Madrid won 3-2.—INTERNET

Answers to yesterday's Crosswords Puzzle

1	E	G	G	S		3	A	S	P	I	R	A	T	7	
	M		E		8		S		P	N		P		N	
9	P	A	T	C	H		10	E	N	G	L	A	N	D	
	T				A		E		R		R			O	
11	Y	E	12	W		13	M	A	D	H	A	T	T	E	R
			A				Y		T		M			S	
14	S	A	T	U	15	R	N		16	D	E	L	E	T	E
	T		E		A		17	B			N				
18	A	P	R	I	L	F	O	O	19	L		20	T	21	P
	D		F		L		U								O
22	I	T	A	L	I	A	N		23	K	N	24	O	C	K
	U		L		E		C		E						E
25	M	E	L	O	D	I	E	S		26	O	D	E	R	

Haye shocks Valuev in WBA heavyweight title bout

NUREMBERG, 8 Nov—Briton David Haye clinched the WBA world heavyweight title with a points win over holder Nikolai Valuev of Russia on Saturday.

Haye, who became Britain's first heavyweight champion since Lennox Lewis retired six years ago, scored 116-112 points on the scorecards of two judges, the third giving it a 114-114 tie in the bout dubbed "David versus Goliath."

"This means everything to me. Since I was a little baby I wanted to be heavyweight champion of the world," Haye said in a ring-side interview. "It's amazing. I

dreamt of this, now it's reality, it's real... he wasn't hitting me, so as long as you are not getting hit you are okay.—INTERNET



Russia's WBA heavyweight boxing world champion Nikolai Valuev (R) receives a punch from challenger David Haye from Britain during their WBA title fight in Nuremberg, South Germany, on 7 Nov, 2009.—INTERNET

Bayern held to 1-1 draw at Schalke 04

BERLIN, 8 Nov—German record champions Bayern Munich were forced to draw 1-1 with Schalke 04 at home on Saturday, while defending champions Wolfsburg beat Hoffenheim 2-1 away.

The encounter between Bayern and Schalke 04 is the most eye-catching game on Saturday. Following the defeat against Bordeaux at Champions League earlier this week, Bayern were under pressure to show its capability.

After 12 minutes Bayern striker Miroslav Klose shot from 15 meters but his hammer was denied by Schalke goalkeeper Manuel Neuer.

Bayern gradually took control of the match, but failed to show clinical finishing qualities.—Xinhua



A model displays a creation by pastry chef Hideki Kawamura during the Tokyo Sweets Collection 2009 in Tokyo, Japan on 8 Nov, 2009. INTERNET

11 killed, 36 injured in Peshawar market blast

ISLAMABAD, 8 Nov—A suicide bomber struck a crowded market on the outskirts of Peshawar today killing at least 11 persons, including an anti-Taliban Mayor believed to be the target of the attack, and injuring 36, nearly two weeks after a massive car bombing in the northwestern Pakistani city left 118 people dead.

Among the 11 killed were Abdul Malik, a 'nazim' or Mayor who was spearheading efforts against the Taliban, a young girl and the head of a 'lashkar' or tribal militia, officials said.

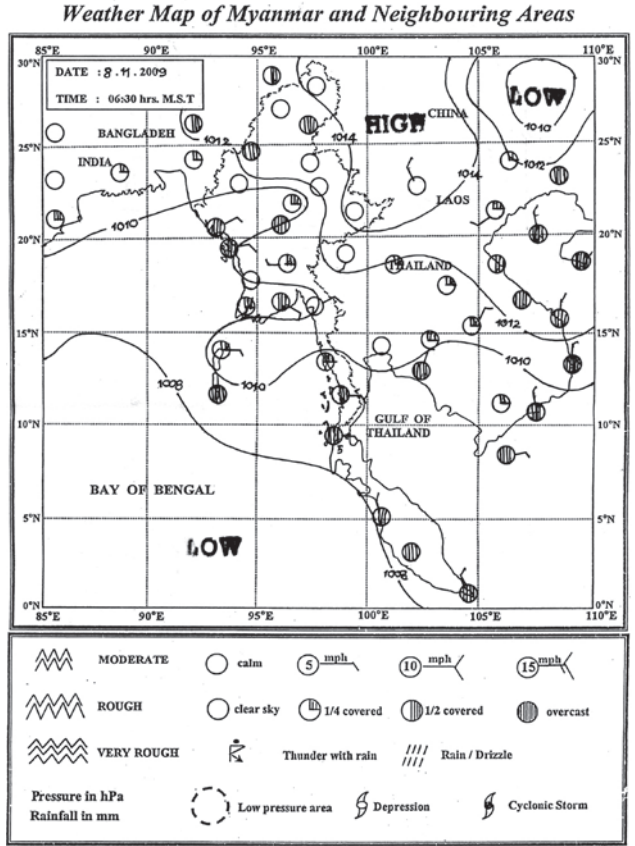
They said Malik's son was among the 36 people injured in the attack, the latest in a series of devastating terror strikes across the country.

The bomber struck shortly after 9.30 am local time, when the market was packed with people shopping for sacrificial animals ahead of the Eid-u-Zuha festival. The injured were taken to hospital in private cars and ambulances.—Internet

MRTV-3 Programme Schedule (9-11-2009) (Monday)

Transmissions	Times
Local	- (09:00am~10:00am)MST
Europe	- (15:30pm~23:30pm)MST
North America	- (23:30pm~07:30am)MST

- Local Transmission**
- * Signature Tune
 - * Song of Myanma Beauty & Scenic Sights
 - * Let's Speak Myanmar "Mingalabar"
 - * Travelling on the Chin Mountain Ranges
 - * Organic Farming, Good Agricultural Practice
 - * Unique Biodiversity of Indawgyi Lake, (Part-VI)
 - * Let's Grow High-Yielding Varieties For Surplus in Rice
 - * Song of Myanma Beauty & Scenic Sights
- Europe/ North America Transmission**
- * Signature Tune
 - * Song of Myanma Beauty & Scenic Sights
 - * Let's Speak Myanmar "Mingalabar"
 - * Travelling on the Chin Mountain Ranges
 - * Organic Farming, Good Agricultural Practice
 - * Unique Biodiversity of Indawgyi Lake (Part-VI)
 - * Let's Sing Together "A Door to Love"
 - * Let's Grow High-Yielding Varieties For Surplus in Rice
 - * Significant Inlay Novitiation Ceremony
 - * Kanbawza Thardi Museum
 - * Culture Stage
 - * Myanmar Modern Song
 - * A Souvenir of Patheingyi
 - * Song of Myanma Beauty & Scenic Sights
- Website: www.mrtv3.net.mm



WEATHER

Sunday, 8th November, 2009

Summary of observations recorded at 09:30hr. M.S.T.

During the past 24 hours, rain or thundershowers have been isolated in Taninthayi Division, weather has been generally fair in the remaining States and Divisions. Night temperatures were (3°C) to (4°C) below November average temperatures in lower Sagaing and Yangon Divisions, (3°C) to (4°C) above November average temperatures in Kachin and Mon States, upper Sagaing and Bago Divisions and about November average temperatures in the remaining States and Divisions. The significant night temperature was Haka (8°C). The noteworthy amounts of rainfall recorded was Kawthoung (0.35) inch.

Maximum temperature on 7-11-2009 was 97°F. Minimum temperature on 8-11-2009 was 65°F. Relative humidity at (09:30) hours MST on 8-11-2009 was 70%. Total sun shine hours on 7-11-2009 was (8.8) hours approx.

Rainfall on 8-11-2009 was (Nil) at Mingaladon, Kaba-Aye and Central Yangon. Total rainfall since 1-1-2009 was (111.06) inches at Mingaladon, (122.09) inches at Kaba-Aye and (129.41) inches at Central Yangon. Maximum wind speed at Yangon (Kaba-Aye) was (6) mph from Northeast at (09:30) hours MST on 8-11-2009.

Bay inference: Weather is partly cloudy in the Andaman Sea and Bay of Bengal.

Forecast valid until evening of 9th November 2009: Light rain are likely to be isolated in Mon State, Taninthayi, Yangon and Ayeyawady Divisions and weather will be generally fair in the remaining States and Divisions. Degree of certainty is (60%).

State of the sea: Sea will be moderate in Myanmar waters.

Outlook for subsequent two days: Likelihood of isolated rain in the Southern Myanmar areas.

Forecast for Nay Pyi Taw and neighbouring area for 9-11-2009: Fair weather.

Forecast for Yangon and neighbouring area for 9-11-2009: Partly cloudy.

Forecast for Mandalay and neighbouring area for 9-11-2009: Fair weather.



Monday, 9 November View on today

- 7:00 am**
- မင်းကွန်းဆရာတော်ဘုရားကြီး၏ပရိတ်တရားတော်
- 7:15 am**
- မြတ်ဂုဏ်တော်သခင် (သန်းမြတ်စိုး၊ တေးရေး-မောင်မောင်လတ်)
- 7:25 am**
- To Be Healthy Exercise
- 7:30 am**
- Morning News

- 7:40 am**
- ပြန်ကြားရေးဝန်ကြီးဌာန နိုင်ငံတော်သံစုံတီးခိုင်းဖျော်ဖြေတင်ဆက်မှုအစီအစဉ်
- 7:45 am**
- Nice & Sweet Song
- 8:00 am**
- Cute Little Dancers
- 8:15 am**
- "မနိုင်သောအနွှဲ"
- 8:30 am**
- Musical Programme
- 8:40 am**
- International News
- 8:45 am**
- အဆိုပြိုင်ပွဲ
- 4:00 pm**
- Myanmar National League MNL (2009) ဘောလုံးပြိုင်ပွဲတိုက်ရိုက်ထုတ်လွှင့်မှုအစီအစဉ် (ဥသယုန်နီကတ် FC အသင်း နှင့် Southern Myanmar FC အသင်း)

- 4:50 pm**
- Musical Programme
- 5:00 pm**
- Song of National Races
- 5:10 pm**
- Dance Variety
- 5:20 pm**
- Musical Programme (The Radio Myanmar Modern Music Troupe)
- 5:30 pm**
- အဝေးသင်တက္ကသိုလ်ပညာရေးရုပ်မြင်သံကြားသင်ခန်းစာ ဒုတိယနှစ် (မြန်မာမူပညာအထူးပြု) (မြန်မာမူပညာ)
- 5:40 pm**
- Songs For Uphold National Spirit
- 5:45 pm**
- စူပီတေးသံရှင်ရွေးချယ်ပွဲ
- 6:00 pm**
- Evening News

- 6:15 pm**
- Weather Report
- 6:20 pm**
- Sing & Enjoy
- 7:00 pm**
- နိုင်ငံခြားဇာတ်လမ်းတွဲ "အဆိပ်သင့်တဲ့အချစ်" (အပိုင်း-၆)
- 8:00 pm**
- News
- International News
- Weather Report
- ၂၀၀၉ခုနှစ်(၁၇)ကြိမ်မြောက် မြန်မာ့ရိုးရာယဉ်ကျေးမှုအဆိုအက၊ အရေး၊ အတီးပြိုင်ပွဲ ဥက္ကဋ္ဌအဖွဲ့တော်ကြီး ပြိုင်ပွဲ" (ပထမဆု) (ရန်ကုန်တိုင်း) (ပထမပိုင်း)
- မင်းကွန်းဆရာတော်ဘုရားကြီး၏အရပ်ဆယ်မျက်နှာ မေတ္တာတာဝန်ပေးများခြင်း တရားတော်

- ★ Only with stability and peace will the nation develop
- ★ Only with stability and peace will democratization process be successful

- ★ Anarchy begets anarchy, not democracy
- ★ Riots beget riots, not democracy
- ★ Democracy can be introduced only through constitution

People's Desire

- We favour peace and stability
- We favour development
- We oppose unrest and violence
- Wipe out those inciting unrest and violence
- VOA, BBC-sowing hatred among the people
- RFA, DVB-generating public outrage
- Do not allow ourselves to be swayed
- By broadcasts designed to cause troubles

Today's vehicles and motorways in Myanmar (7)

Article: *Kayan Soe Myint*; Photos: *Ministry of Construction*

The series of my article "Today's vehicles and motorways in Myanmar" from 1 to 6 were featured in the three major newspapers: the *Kyemon*, the *Myanma Alin*, and the *New Light of Myanmar* in September.

In response to the popular demand regarding the sixth article, and due to some more points I have to present in order to complete my article, I continue my series from 7 to 12 for public knowledge with necessary data and statistics provided by the ministry concerned.

It is common knowledge that Myanmar, a member of the Association of South-East Asian Nations (ASEAN), deals not only with ASEAN members but also with European countries. Therefore, except political and social objectives, some matters including economic ones Myanmar exercises are to meet the



Uphill road to Thandaunggyi.

standards of those countries.

Number fifth article states the need of vehi-

cles running on the roads in Myanmar to meet the number of axles fixed for international level and

ASEAN level. In response to the questions about the articles raised by some readers, I have to make

further clarification to the subject. Myanmar has a growing number of automobiles of different

brands.

I have learnt that the axle load of a vehicle is to (See page 7)